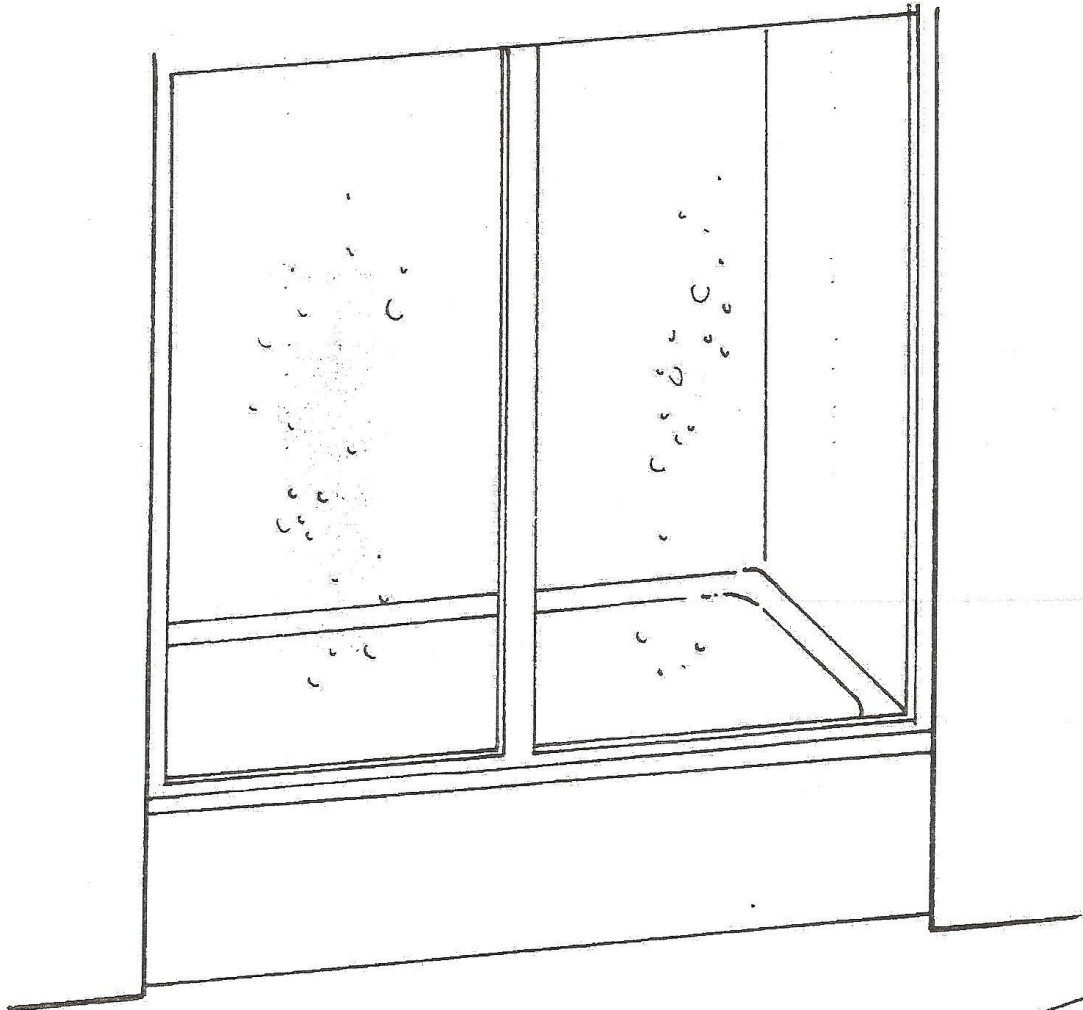


SHOWER DOOR

DOUBLE SLIDER 2

INSTALLATION INSTRUCTIONS

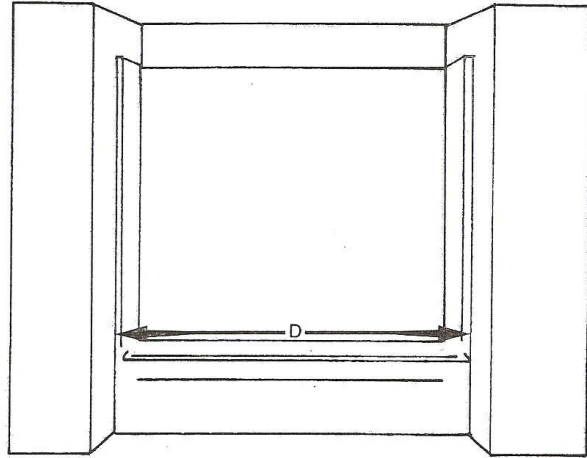


1 MEASURING FOR BOTTOM TRACK

Note: If your shower has a curve in the corners at the side walls, be sure to measure distance D above curves

A. Measure distance D at the flattest part of the tub ledge.

CAUTION: If a steel tape is used, be sure to add the width of the case to the measurement.

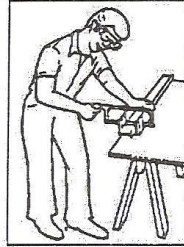


2 CUTTING BOTTOM TRACK

Note: Wear Safety Glasses.

A. Cut bottom track 1/8" shorter than distance D. Do not cut top track at this time.

B. For best results use a 32 tooth hacksaw blade and a miter box.

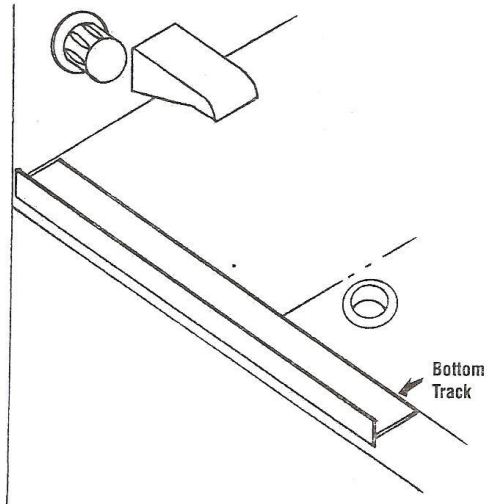


3 LOCATING BOTTOM TRACK

A. Place the bottom track on the flattest part of the ledge with the sloping face of the track towards the inside of the shower. Make sure that the space between the wall and track is the same on both ends.

B. Fasten the track with masking tape. Mark the ledge with a soft pencil along the front edge of the track.

Note: Track must sit flat. If your ledge has a curve in the corners at the side walls or is of fiberglass construction it may be necessary to shape the ends of the track with a file.

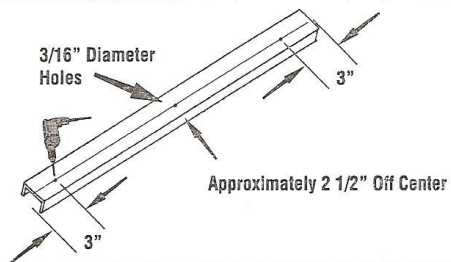


4 DRILLING HOLES

Note: Wear Safety Glasses

Note: Go to step 5 if wall jambs have been factory drilled.

- A. Drill three 3/16" diameter holes along the groove at the back of each wall jamb as shown.



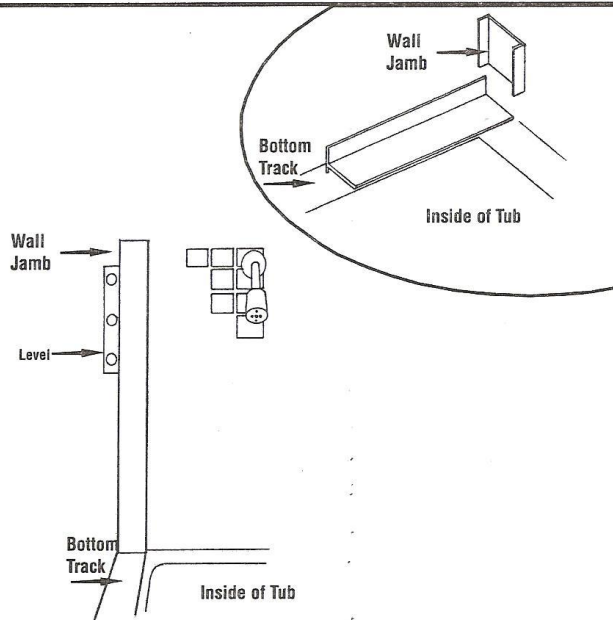
5 LOCATING WALL JAMBS AND MARKING HOLE LOCATIONS

- A. Place one wall jamb down over end of bottom track.

Wall jamb must sit flat against the wall with legs of wall jamb fully engaged with bottom track.

Note: You may need to shape the bottom ends of jambs to fit unites having a curve at the side walls.

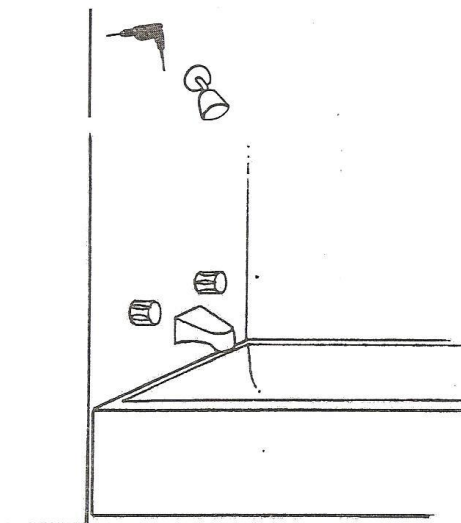
- B. Use a level to plumb the wall jamb as shown and mark the 3 hole locations. Repeat procedure at opposite end of unit with other jamb.



6 DRILLING HOLES

Note: Wear Safety Glasses

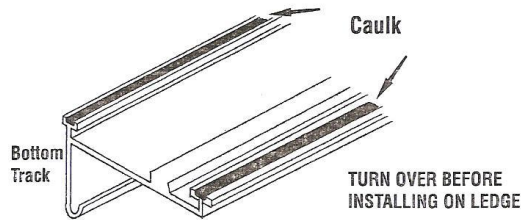
- A. Remove bottom track. Lightly center punch the 3 hole locations for each wall jamb. On ceramic tile, use the center punch to nick the surface glaze. Tap the punch lightly with your hammer so you don't crack the tile.
- B. Drill all 6 holes with a 3/16" drill bit (use a masonry bit for ceramic tile).
- C. After drilling, thoroughly clean the tub ledge and insert anchors in all 6 holes.



7 CAULKING BOTTOM TRACK

A. Apply caulk to the caulking grooves on underside of the bottom track. Apply enough to just barely overfill the grooves. This will give a good seal with the tub ledge. Install bottom track on ledge in location marked earlier.

B. Seal ends of track at wall with caulk.

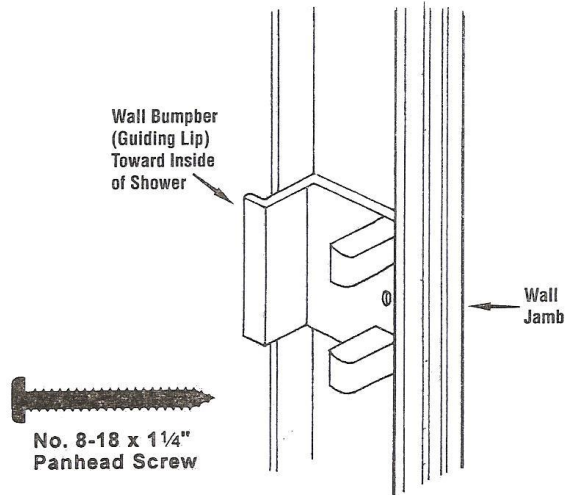


8 INSTALLING WALL JAMBS & TRAVEL LOCK

A. Install each wall jamb by inserting over the bottom track. Align the holes in the wall jamb with the holes in the wall.

B. Secure the wall jambs with No. 8-18 x 1 1/4" panhead screws provided.

C. Note: Through the center hole of wall jamb, secure travel lock.



9 MEASURING, CUTTING, AND INSTALLING TOP TRACK.

Note: Wear Safety Glasses

A. Measure the wall to wall opening at the top of the wall jambs. Cut the top track 1/16" shorter than the actual measurement to allow for clearance. Use a 32 tooth hacksaw blade and a miter box.

CAUTION: If a steel tape is used, be sure to add the width of the case to the measurement.

B. Install the top track over the wall jamb ends.

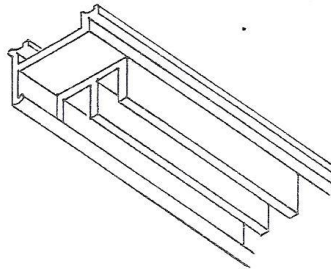
10 LOCATING AND INSTALLING BOTTOM TRACK GUIDE

Note: Wear Safety Glasses

A. Place the panel guide on the bottom track exactly midway between the wall jambs.

B. Note: One top edge of the guide fits into a groove at the front of the track. Drill a 1/8" hole in the bottom track through the hole in the panel guide.

C. Fasten panel guide with a No. 6-32 x 5/16" flathead screw.



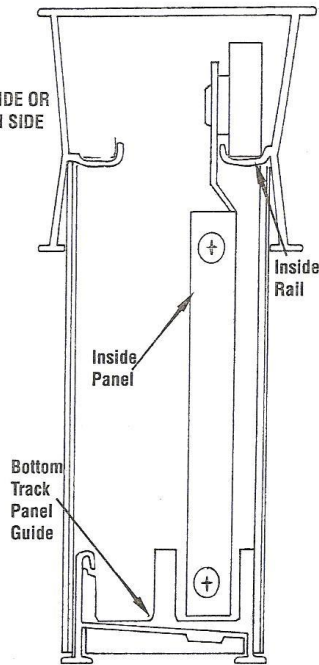
11 INSTALLING PANELS

A. Install the inside panel first. Lift it up inside the top track and hang the rollers on the inside rail of the top track.

B. Lower the panel bottom frame into the bottom track panel guide.

C. Slide the inside panel against the wall jamb on the same side as showerhead. If the panel does not align with the wall jamb nearest the shower head, remove the panel, loosen roller screw(s), move roller(s) in slot to align door panel, tighten screw(s), and rehang panel.

OUTSIDE OR ROOM SIDE

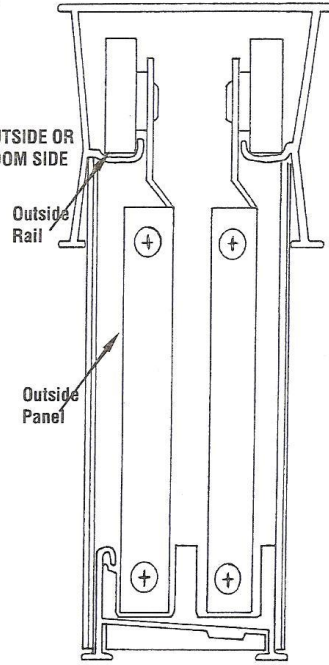


A. Lift the outside up inside the top track and hang the rollers on the outside rail of the top track.

B. Align with the wall jamb opposite the showerhead.

C. Adjust rollers if necessary, using same procedure as for the inside panel.

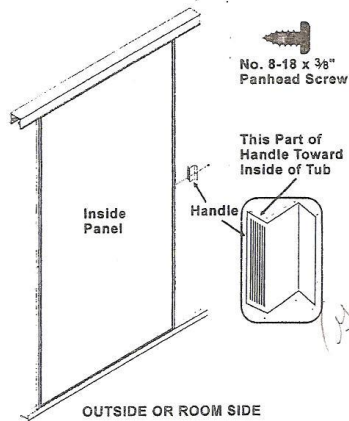
OUTSIDE OR ROOM SIDE



12 INSTALLING HANDLE

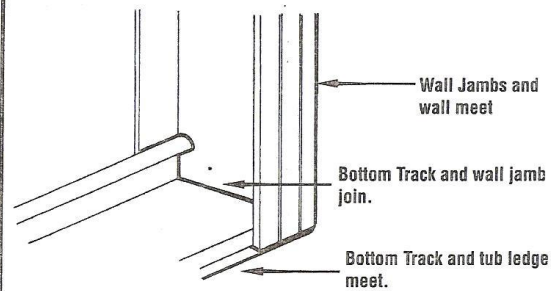
A. Place one plastic handle on the inside panel side frame at the showerhead side.

B. Secure with a No. 8-18 x 3/8" panhead screw.



OUTSIDE OR ROOM SIDE

13 CAULKING



Allow caulk to set 24 hours before use.

Part Names for Installation

